

SPECIFICATION

Description	220-240V Dimming LED Driver, Constant Current Driver
Electrical Characteristics	Ta = 25°C, 220-240Vrms input, standard reference load; unless otherwise specified
Class II, IP20, thermally protected	110°C, independent driver

Product Name		D26012U
Input Parameters		
Rated Input Voltage	Uin	220-240VAC
Input Current (Full load)	Iin	0.08A
Input Frequency	fin	50/60Hz
Maximum Input Power	Pin	15.0W
Power Factor (Full load)	λ	≥0.95
THD(Full load)		≤25%
Efficiency (Full load)	η	≥80%
No-load power		≤1.0W
Inrush current		≤10.0A
Turn on time		≤500ms

Output Parameters		
Output Voltage	Vout	23-46V
Output Current (Full load)	Iout	260mA±5%
Output Power (Full load)	Pout	12.0W
Operating Frequency(Full load)	Fout	65KHz
Ripple & Noise		≤30mA
Load Regulation		≤5%
Line Regulation		≤5%

Ambient		
Storage Temperature	ts	-20 ...+ 70°C
Operating Ambient Temperature	ta	-20 ...+ 50°C
Case Temperature at tc Point	tc	80°C
Relative humidity		5 ...85%

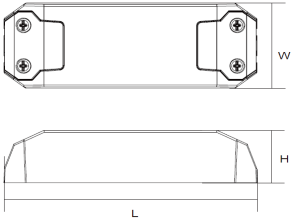
Protection		
No Load		Auto-recovery if fault is removed
Over Load		Auto-recovery if fault is removed
Short Circuit		Auto-recovery if fault is removed

System Parameters		
Withstand voltage		3.75KVAC, Ileakage<5.0mA,60S
Expected Life		30,000Hours

Compliances and approvals		
Safety		EN 61347-2-13
RFI		EN 55015
Harmonics		EN 61000-3-2 Class C
Immunity		EN 61547

- Note**
1. All parameters NOT specially mentioned are measured at 230VAC input, rated load and 25 of ambient temperature.
 2. Ripple & noise are measured at 20MHz of bandwidth by using a 12" twisted pair-wire terminated with a 0.1uF & 47uF parallel capacitor.
 3. Expected Life:tc=80°C,0.2%/1000h failure rate

Physical Parameter



Dimensions(LxWxH): 115x39x22mm
Housing Material:PC Plastic
Captured Terminal Screw for 0.75~2.5mm2

